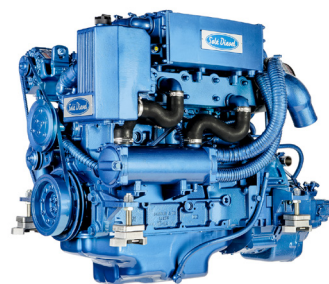




SDZ-165

Inboard Engine Base Deutz

4 cylinders in line 160.5 HP (118 kW) 2300 rpm

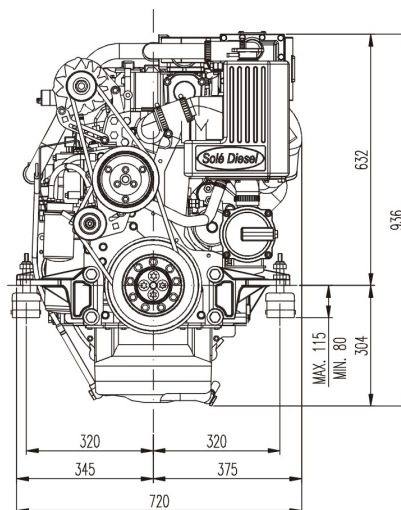
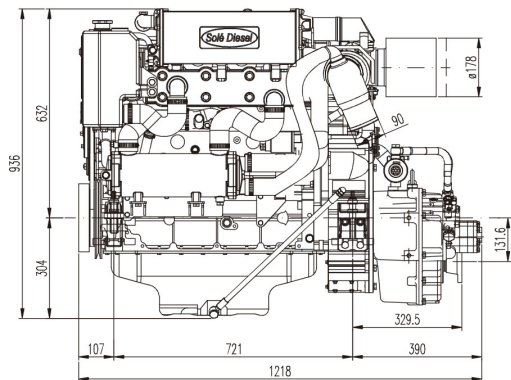


Tekniska Data

Base	Deutz
Type	Diesel 4 Stroke Cycle
Number of Cylinders	4 in line
Intake System	Turbocharger & Intercooler
Bore x Stroke	108 mm x 130 mm (4,25 in x 5,12 in)
Total Displacement	4764 cc
Compression Ratio	17,5:1
Intermittent Power (ISO3046/1)	160.5 HP (118 kW)
Continuous Power	144.4 HP (106.2 kW)
Rated RPM	2300
Combustion System	Direct mechanical injection
Starter Motor	24 V (4 kW)
Alternator	55 A 24 V
Engine Max Installation Angle	Max static angle 7° (+ 3° in operation)
Direction of Rotation (Crankshaft)	Anti Clockwise
Cooling System	Sea water cooled heat exchanger
Dry Weight (bobtail)	688 Kg (1517 Lbs)
Water Hose (Inside Diameter)	42 mm (1,65 in)
Fuel Feed Hose (Inside Diameter)	12 mm (0,47 in)
Fuel Return Hose (Inside Diameter)	12 mm (0,47 in)
Exhaust hose (inside Diameter)	90 mm (3,54 in)
Certifications	EU: RCD I (Directive 94/25/EC)

Dimensions

SDZ-165 TM-170

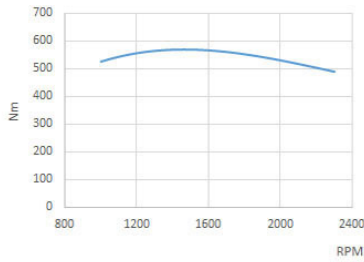


Dimensions in mm

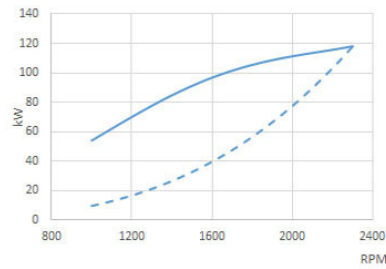


Performance Curves

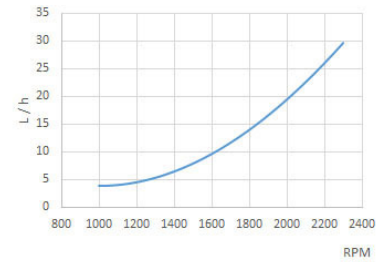
Crankshaft torque



Power (ISO 3046/1)



Fuel Consumption



— Engine Power - - - Propeller Power

Panels

SVT 30 Standard



- Tachometer including hour meter
- Coolant Temperature Gauge
- Pre-heating Pilot Light
- Low Battery Alarm
- High Temperature Alarm
- Low Oil Pressure Alarm
- 5 Positions Key
- Oil Pressure Gauge
- Voltmeter
- Dimensions: 255 x 160 mm



SVT 40 Doble Panel

- Tachometer including hour meter
- Pre-heating Pilot Light
- Low Battery Alarm
- High Temperature Alarm
- Low Oil Pressure Alarm
- 5 Positions Key
- Dimensions: 205 x 155 mm

Accessories

Scope of Supply

- Packaging
- Instrument Panel SVT 30
- Extention Harness 4 m
- Sump Drain pump
- Owner's Manual

Optional Equipment & Kits

- We have a wide range of available accessories and kits.
- Our technical department will calculate the propeller to optimize your engine
- For additional information access our website

Gearbox

Model	Type	Down Angle	Reduction Ratio (Light Duty)	Reduction Ratio (Cont. Duty)	Engine Weight with Gearbox
TM-170	Hydraulic	0°	2.04:1 - 2.94:1 - 2.50:1 - 1.50:1	1.50:1	646 Kg (1424 Lbs)
TM-200B	Hydraulic	0°	-	3.60:1 - 4.48:1	790 Kg (1741 Lbs)
TM-265A	Hydraulic	7°	2.09:1	2.09:1	729 Kg (1607 Lbs)
TM-880A	Hydraulic	10°	2.08:1 - 2.60:1 - 1.53:1	1.53:1	622 Kg (1371 Lbs)
ZF 63 IV	V-Drive H.	12°	1.99:1	-	608 Kg (1340 Lbs)

Authorized Dealer



solediesel.com - info@solediesel.com

Detailed drawings, brochures and manuals are available on the web. © 2017, Solé Diesel. All rights reserved. Technical specifications, data and presentation are subjected to variations, changes and updates without prior notice, and without any obligation or liability whatsoever. Text and illustrations are not binding.

